

Parker - Coreless Filters

New Technology for the Dump Truck and Trailer Industry

Atlanta Powertrain Inc.

Phone: 404-361-2869

Field Representatives

Dennis Hartley: 205-577-2605 dhartley@atlantapowertrain.com

Jason Sasser: 205-492-8006 jsasser@atlantapowertrain.com



Overview:

Old style spin on canisters would often blow off in dump truck and trailer applications. This resulted in 90% of all dump applications not being filtered at all. Parker has addressed this problem by increasing the effective area of thread engagement by 25 times going around the perimeter versus using the inter core.

70% of all hydraulic failures, according to the Fluid Power Society, are the result of dirty oil being used in the hydraulic system. No doubt about it, having a properly filtered system will dramatically increase the life of every hydraulic component in the system.

The Parker coreless filters will not only extend the service life of system components, but will last 3 times as long as the traditional inter core filters. By properly filtering your system with Parker Coreless Filtration, you can reduce your equipment downtime and hydraulic component replacements.



Products Features and Benefits:

- **Parker Kits** - Come complete with everything you need to mount and connect filter
- **Mounting** - 6 Hole pattern for flexibility
- **Indicator Gauge** - Show at a glance when the canister needs changing
- **Ports** - SAE Ports Standard
- **25 Times Thread Engagement** - Filters will not blow off and provides 3 times the service life over a spin on canisters

Contact Information:

Parker
Value Added Service Center
Austin, Tx. 78754

Phone: 877-482-4899

Fax: 512-926-9333
www.phtruck.com



ENGINEERING YOUR SUCCESS.

Coreless Spin-on Filters

12AS/50AS Series

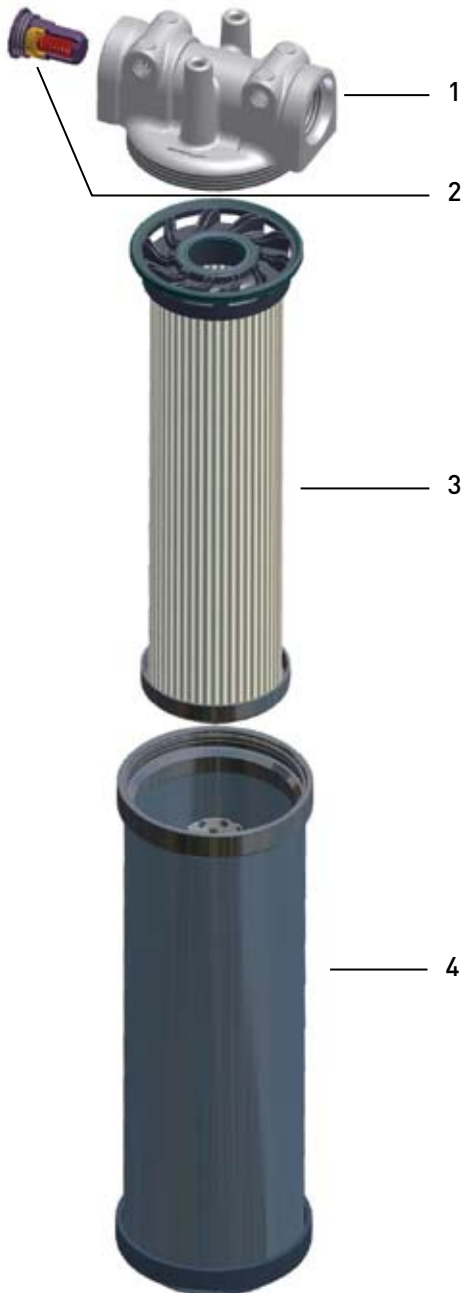
Service Instructions 12AS/50AS Series

Filter Service

Filter element should be replaced as indicated by filter indicator gauge, or at specified service intervals recommended by the OEM.

Replacement element procedure

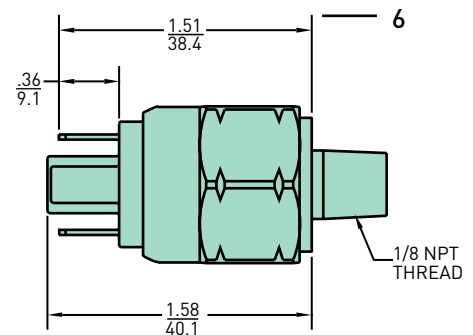
- Shut down system and release pressure in the filter line.
- Loosen bowl and remove rotating counter clockwise.
- Remove dirty element from filter head and discard.
- Lubricate element seals on clean element and install on filter head element locator.
- Install reusable bowl onto element and filter head. Tighten to specified torque.



Indicator Gauge (25 PSI)

Parts List

Index		12AS	50AS	
1	Head			
	SAE-12	937600	N/A	
	3/4" NPT	937612	N/A	
	G3/4" BSPP	940898	N/A	
	SAE-20	N/A	940791	
	1 1/4" NPT	N/A	940792	
2	Bypass			
	25 psid assembly	928979	930507	
	50 psid assembly	928981	933424	
	3	Element		
		Single		
		02QE	N/A	940816Q
05QE		N/A	940817Q	
10QE		N/A	940818Q	
20QE		N/A	940819Q	
4	Bowl			
	Double			
	02QE	940765Q	N/A	
	05QE	940764Q	N/A	
	10QE	940763Q	N/A	
	20QE	940762Q	N/A	
5	Gauge			
	50 PSID bypass	936628	936628	
	25 PSID bypass	936912	936912	
6	Pressure Switch			
	50 PSID bypass	934617	934617	
	25 PSID bypass	926923	926923	



Pressure Switch

Linear Measure = inches
mm

How To Order

Select the desired symbol (in the correct position) to construct a model code.

Example:

BOX 1	BOX 2	BOX 3	BOX 4	BOX 5	BOX 6	BOX 7	BOX 8
12AS	2	10QE	B	P	G	S12	1

BOX 1: Basic Assembly	
Symbol	Description
12AS	Coreless Spin-On, 20 GPM nominal
50AS	Coreless Spin-On, 40 GPM nominal

BOX 6: Bypass	
Symbol	Description
G	25 PSID (1.7 bar)
K	50 PSID (3.5 bar)

BOX 2: Length	
Symbol	Description
1	Single (50AS model only)
2	Double (12AS model only)

BOX 7: Ports	
Symbol	Description
	<u>12AS</u>
S12	SAE-12 integral threads*
N12	3/4" NPT integral threads
G12	G3/4" BSPP (ISO 220) integral threads
	<u>50AS</u>
S20	SAE-20 integral threads*
N20	1 1/4" NPT integral threads
G20	G1 1/4" BSPP (ISO 220) integral threads

BOX 3: Element Media	
Symbol	Description
02QE	Ecoglass III, 2µm
05QE	Ecoglass III, 5µm
10QE	Ecoglass III, 10µm
20QE	Ecoglass III, 20µm

*Porting recommended for best delivery.

BOX 4: Seals	
Symbol	Description
B	Nitrile (NBR)
Consult Factory for additional seal options	

Symbol	Description
1	No options

BOX 5: Indicator	
Symbol	Description
P	Gauge Ports (4) Plugged

Replacement Elements (Ecoglass)

Media	Filter Model - Nitrile seals	
	12AS-2	50AS-1
02QE	940765Q	940816Q
05QE	940764Q	940817Q
10QE	940763Q	940818Q
20QE	940762Q	940819Q

Accessories

Part Number	Description
936912	Pressure gauge, 2" 0-60 psid (25 psid bypass)
936628	Pressure gauge, 0-100 psid (50 psid bypass)
926923	Pressure switch, 20 ± 2 psid 5A @ 24 VDC (25 psid bypass)
934617	Pressure switch, 43 ± 3 psid (50 psid bypass)

Accessories for use in low pressure application only.



Parker
Value Added Service Center
Austin, Tx. 78754

Coreless Filtration Nov. 2013

Phone: 877-482-4899
Fax: 516-926-9333
E-mail wetlinekits@parker.com
Web: www.phtruck.com/wetlinekits