

Atlanta Powertrain, Inc.

Main Phone Number: 404-361-2869

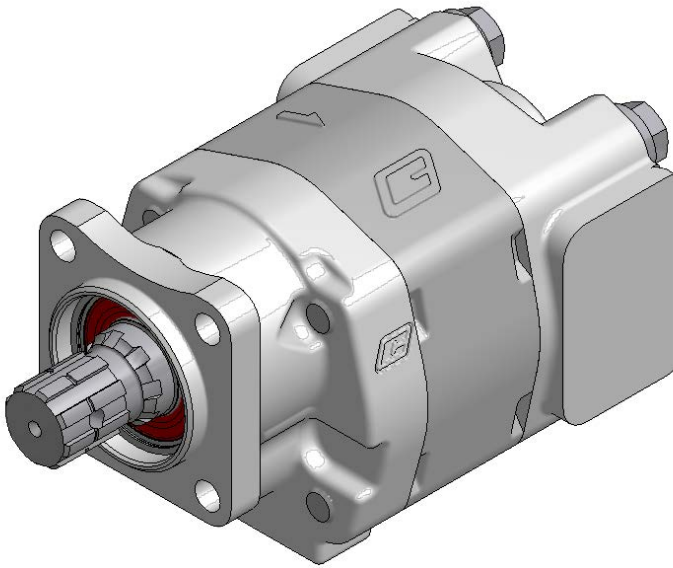
Field Service Representatives

Dennis Hartley: 205-577-2605

dhartley@atlantapowertrain.com

Jason Sasser: 205-492-8006

jsasser@atlantapowertrain.com



Easy Fit Bushing Pumps

PGP 350 DIN Mount and SAE B Mounted



Engineering **Your** Success

Easy Fit Bushing Pumps

PTO Mounts and Volvo I-Shift / Mack mDRIVE

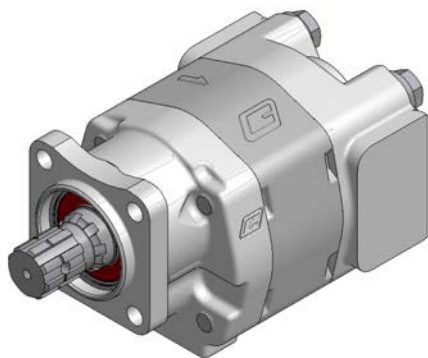
Design Innovation

The Easy Fit bushing series was designed to fit into places a normally designed bushing or roller bearing pump might not fit. Mounting a pump to the PTO on a truck that has an Allison transmission can be challenging for most installers.

Mounting pumps to the Volvo or Mack automatic transmissions is equally difficult. Prior to the Easy Fit pumps, the only pump that would directly mount to the OEM-provided PTO was a Bent Axis Piston Pump.

The Easy Fit bushing series will work very well in all of the following applications:

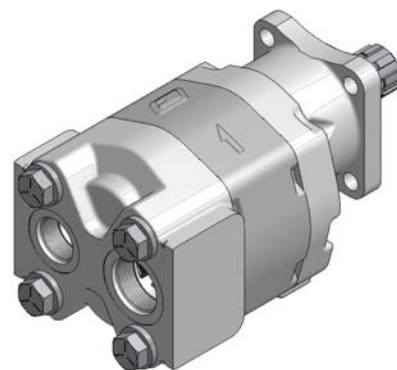
- Rear Loaders
- Moving Floors
- Live Bottoms
- Low Boys
- Dump Trucks
- Wet Line Kits for Dump Trailers
- Any Vocational Application that has a pressure requirement of 3000 psi or less and a flow requirement up to 32 gpm at 1200 rpm.



Product Specifications

Options and Features

- Standard Porting O-Ring Boss
- Pump rotation clockwise or counter clockwise
- Rear mounted ports for easy hose plumbing
- Inlet Size 1 1/4" and does not require any special fittings
- Outlet Size of 1" reduces the need for special reducers to connect the outlet to the inlet on the hydraulic valve
- Gear available in 2" and 2-1/2" gear widths
- Cubic Inches displaced:
 - 2" Gear 5.10" / 83 CC
 - 2 1/2" Gear 6.38" / 104 CC
- Larger displacements enable the truck owner to run the engine at a lower RPM and reduce fuel costs.
- 5462 Standard DIN Mount with 8 Tooth Shaft
- SAE B 4 Bolt with 7/8" 13 Tooth Shaft
- Easy Fit pumps do not have to be primed prior to operation. All pumps have been pretested and are ready to install.
- Pumps can be mounted in any position



Truck Pump Program

Easy Fit Bushing Pump

Product Offering

Parker #	Description	Rot	Port	Inlet	Outlet	Gear	CID
3239110522T	PGP350 4B ODT RP CW 7/8"-13T 20 W	CW	O-Ring	1-1/4"	1"	2"	5.10
3239110523T	PGP350 4B ODT RP CCW 7/8"-13T 20 W	CCW	O-Ring	1-1/4"	1"	2"	5.10
3239110524T	PGP350 4B ODT RP CW 7/8"-13T 25 W	CW	O-Ring	1-1/4"	1"	2-1/2"	6.38
3239110525T	PGP350 4B ODT RP CCW 7/8"-13T 25 W	CCW	O-Ring	1-1/4"	1"	2-1/2"	6.38
3239110549T	PGP350 DIN ODT RP 8T DIN 20	CCW	O-Ring	1-1/4"	1"	2"	5.10
3239110550T	PGP350 DIN ODT RP 8T DIN 20	CW	O-Ring	1-1/4"	1"	2"	5.10
3239110548T	PGP350 DIN ODT RP 8T DIN 25	CCW	O-Ring	1-1/4"	1"	2-1/2"	6.38
3230110551T	PGP350 DIN ODT RP 8T DIN 25	CW	O-Ring	1-1/4"	1"	2-1/2"	6.38





Parker
Value Added Service Center Austin,
Tx. 78754
phone: 877-482-4899
fax: 512-926-9333
E-mail: wetlinekits@parker.com
Web: www.phtruck.com/wetlinekits

Easy Fit Pumps Nov. 2013